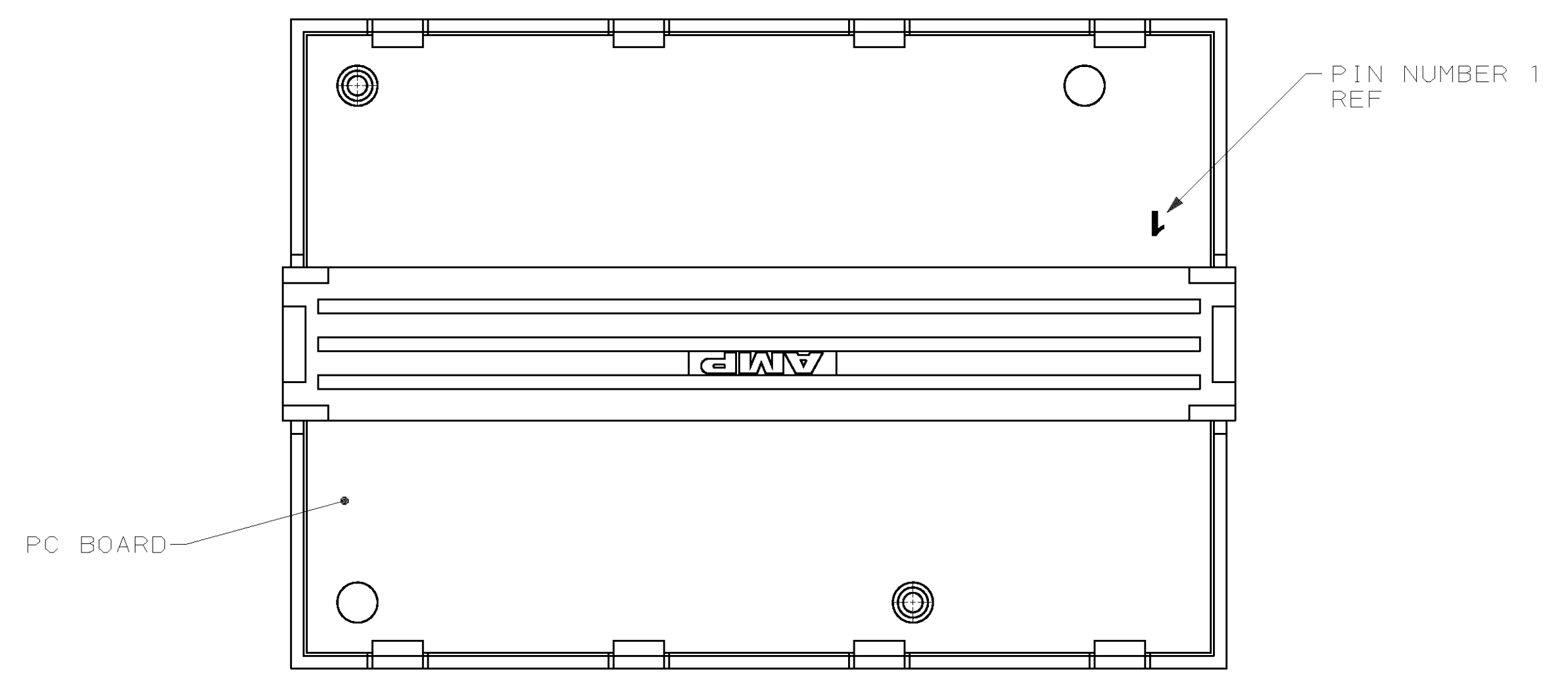
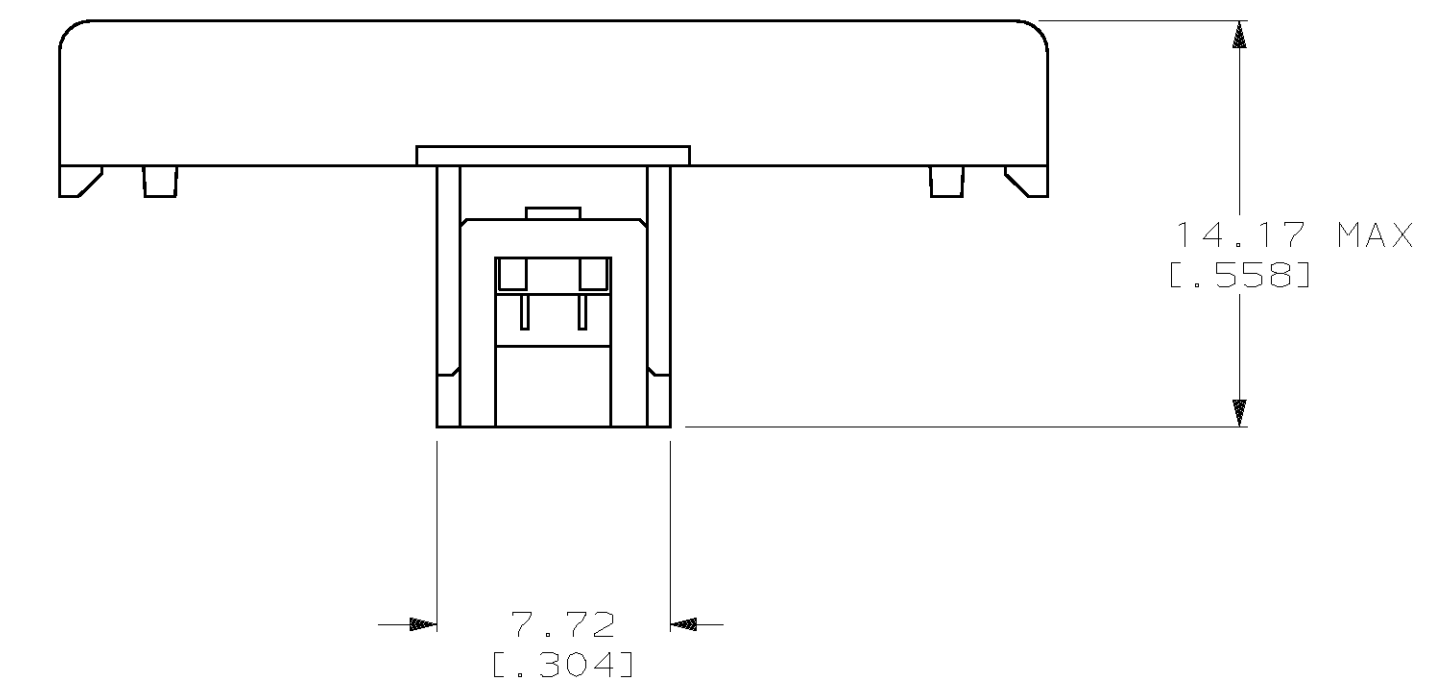
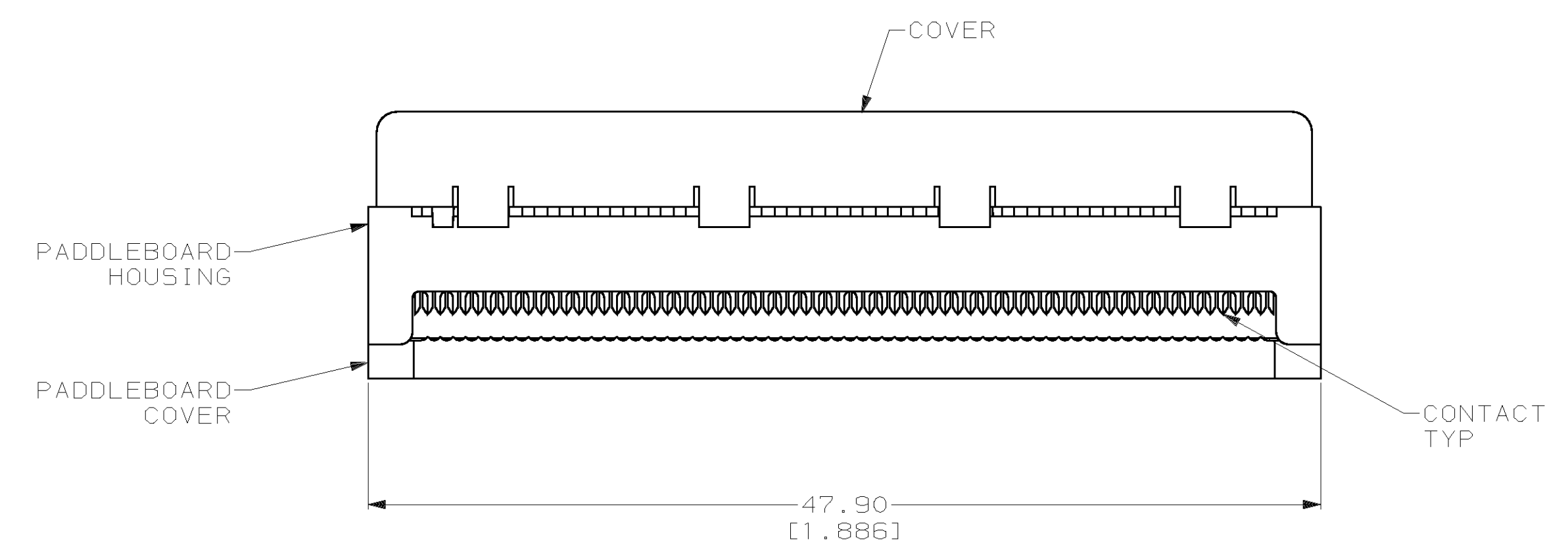
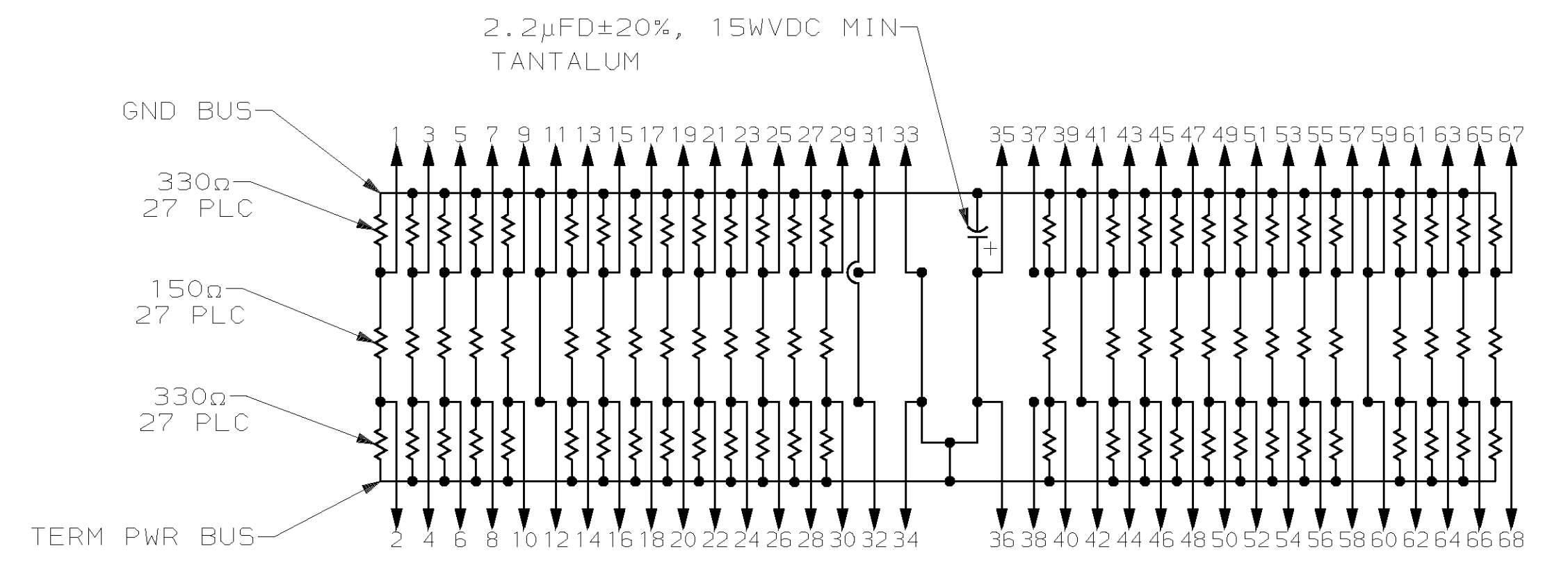
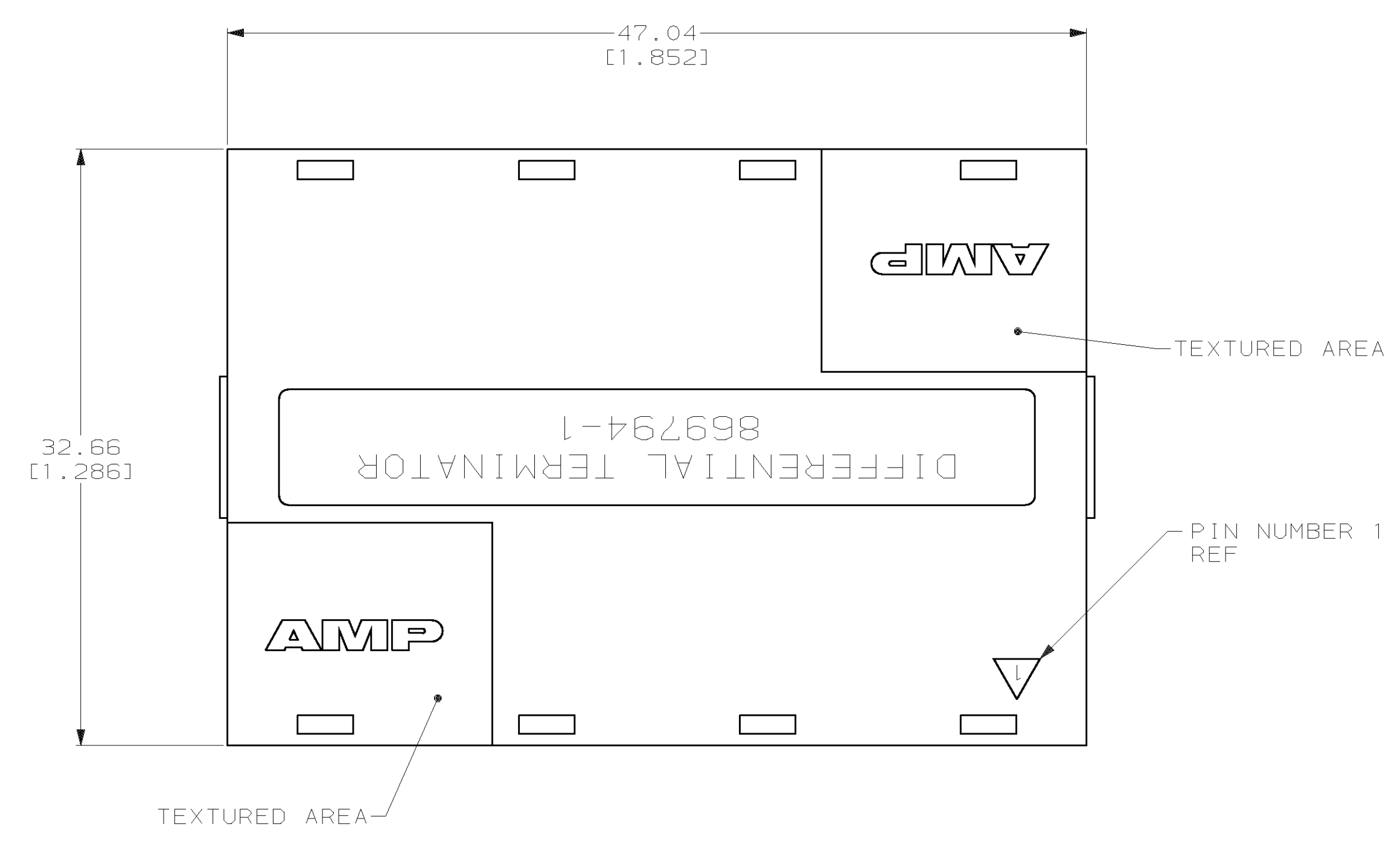


LOC	DIST	P	F	ZONE	LTR	DESCRIPTION	DATE	APPD
BD	62							
						0 RLSE PER NPR 4924, WAS 93-4163-055-01	9-21-93	-
						A REV PER EC0020-1562-93	02/02/94	MP
						B REV PER EC 0020-928-94	08/12/94	PR
						C REV PER EC 0020-1174-94	10/07/94	JV
						D REV PER EC 0020-1256-94	10/20/94	JV
						E REV PER EC 0020-1539-94	01/11/95	JV
						F REV PER EC 0020-0811-95	09 AUG 95	WD
						G REV PER EC 0020-0862-95	28 AUG 95	RD
						H REV PER EC 0020-731-96	24 OCT 96	WD
						J REV PER EC 0420-0169-97	10 NOV 97	PR
						K REV PER EC 0640-326-98	03 SEP 98	PR
						L REV PER 0640-504-98	11 DEC 98	PR

⚠ PADDLEBOARD HOUSING: LCP, BLACK UL 94V-0 RATED.
 PADDLEBOARD COVER: POLYESTER, BLACK OR GREY, UL 94V-0 RATED.
 COVER: ABS, BLACK, UL 94V-0 RATED; CONTACTS: BERYLLIUM COPPER;
 PC BOARD: PLASTIC (GRADE FR-4) LAMINATED 1 OZ COPPER CLAD.
 ⚠ 2.54µm [0.00100] MIN TIN-LEAD OVER 1.27µm [0.00050] MIN NICKEL.



DO NOT SCALE PRINT. UNLESS SPECIFIED DIMENSIONS IN mm [INCHES] TOLERANCES ON: 2 PLC DEC ± 0.13 [0.005] 3 PLC DEC ± - ANGLES ± -		DR 9-21-93 J McCLINTON	AMP Incorporated Harrisburg, PA 17105-3508		
MATERIAL		CHK 9-22-93 R. STONE			
FINISH		APPD 9-23-93 M. PAIKIN	.025 IDC ASSY, 68 POSN, DIFFERENTIAL, AMP-LATCH™ TERMINATOR		
CONTACTS: ⚠		APPD 9-23-93 M. PAIKIN	PRODUCT SPEC	SIZE	CAGE CODE
THIS DRAWING IS A CONTROLLED DOCUMENT FOR AMP INCORPORATED. IT IS SUBJECT TO CHANGE AND THE CONTROLLING ENGINEERING ORGANIZATION SHOULD BE CONTACTED FOR THE LATEST REVISION.		APPLICATION SPEC	FINISH	D	00779
		WEIGHT	SCALE	4:1	DRAWING NO
					C=869794
					SHEET 1 OF 1